

**Submersible Non-Clog Pumps**

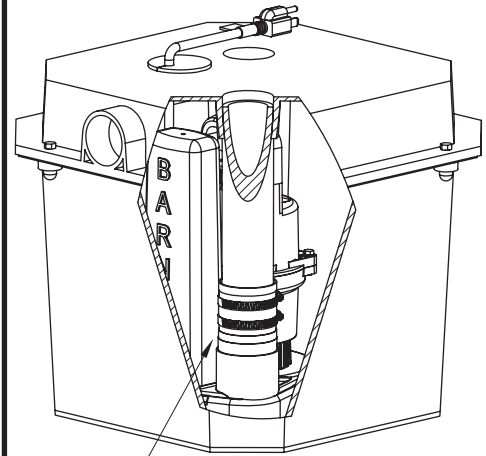
The Laundry Tray system is designed for above the floor "grey water" sump applications. Typical uses include laundry trays, wet bars, dehumidifiers, water softeners and air conditioner condensation. Manufactured with high quality polyethylene resins and tested to industry standards. The pre-assembled system comes complete with pump, tank, 1½" discharge and check valve.

**FEATURES:**

- Basin components are durable, corrosion-resistant polyethylene.
- Box and cover have a matching textured finish.
- 1-1/2" threaded inlet and vent.
- Grommet cord seal.
- Accommodates 1-1/2" discharge piping.
- Stainless steel bolts.
- Large 6 gallon capacity.
- Size: 15" x 15" x 14"
- Package weight 19-1/2 lbs. (Includes pump)

MODEL	PART NO.	PUMP MODEL	PART NO.
SU33LT	131411	SU33	130234

See Section A pages 1 and 2 for additional pump data.

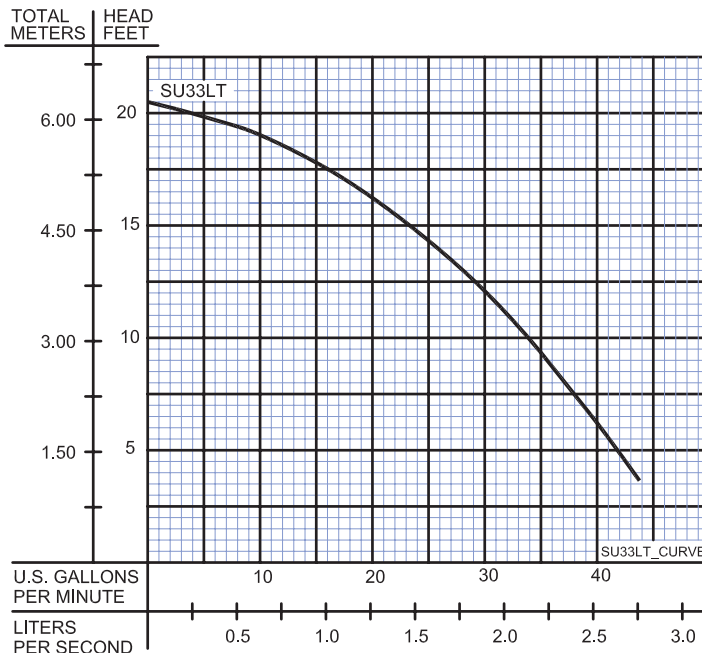


Pre-installed check valve

Series: SU33LT, 60Hz  
P/N: 131411

**DESCRIPTION:**

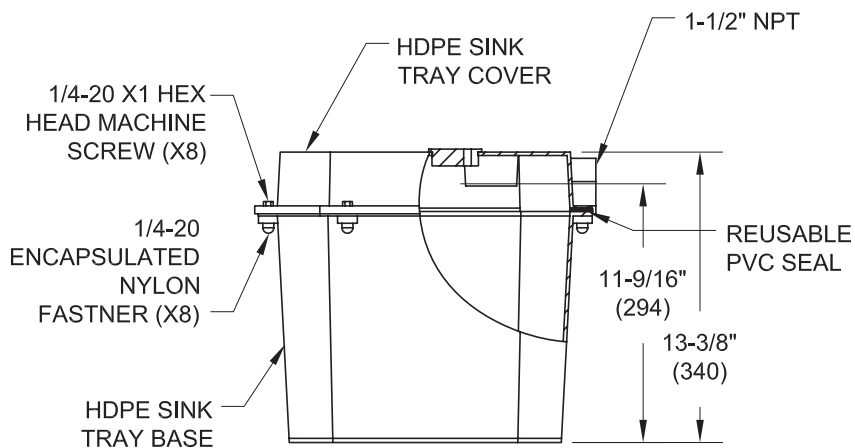
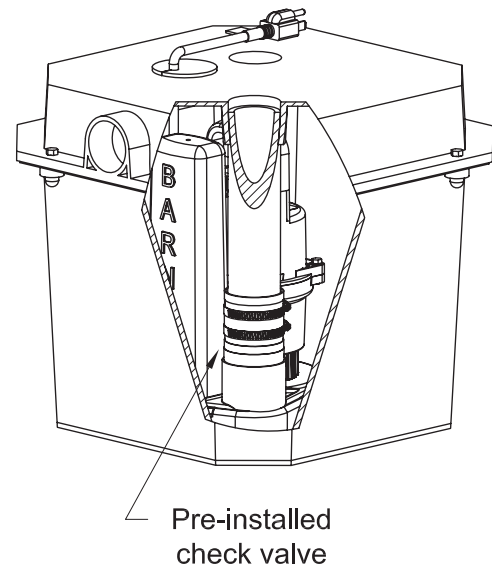
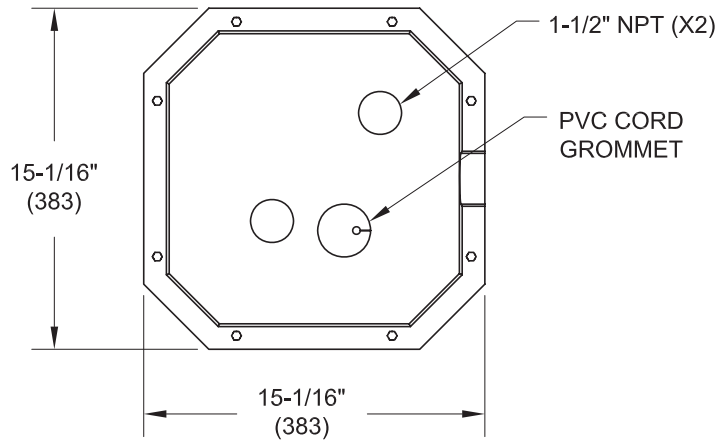
GENERAL PURPOSE PACKAGED PUMP SYSTEM FOR RESIDENTIAL APPLICATIONS



Testing is performed with water specific gravity of 1.0 @ 68°F (20°C), other fluids may vary performance

**Submersible Non-Clog Pumps**

inches  
(mm)



**IMPORTANT !**

- 1.) THIS PUMP IS NOT APPROPRIATE FOR THOSE APPLICATIONS SPECIFIED AS HAZARDOUS LOCATIONS.
- 2.) THIS BASIN MUST BE INSTALLED IN ACCORDANCE WITH THE NATIONAL ELECTRIC CODE ANSI/NFPA 70 AND/OR THE AUTHORITY HAVING JURISDICTION. THIS PUMP IS NOT INTENDED FOR USE IN SWIMMING POOLS, RECREATIONAL WATER PARKS, OR INSTALLATIONS IN WHICH HUMAN CONTACT WITH PUMPED MEDIA IS A COMMON OCCURRENCE.