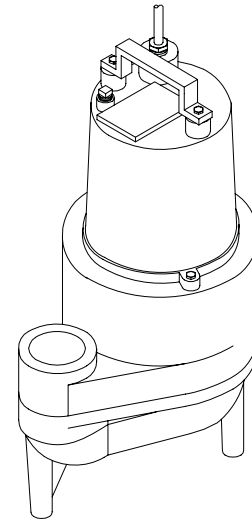


Submersible Non-Clog Pumps

DISCHARGE2" NPT, Female, Vertical
LIQUID TEMPERATURE77°F (25°C) Continuous
MOTOR HOUSINGCast Iron
PUMP BODYCast Iron
IMPELLER: *Design*Multi-Vane, Vortex
MaterialCast Iron
SHAFT416 Stainless Steel
O-RINGSBuna-N
HARDWARE300 Series Stainless Steel
PAINTAir Dry Enamel
CORD ENTRY20 ft. (6m) Quick Disconnect Cord with
plug on 115 Volt, Pressure Grommet for
sealing and strain relief
SEAL: *Design*Single Mechanical, Oil Filled Reservoir
MaterialCarbon/Ceramic/Buna-N
Hardware - 300 Series Stainless
UPPER BEARING.....Single Row, Ball, Oil Lubricated
LOWER BEARING.....Single Row, Ball, Oil Lubricated
MOTOR: *Design*Oil Filled
InsulationClass B
SINGLE PHASE.....Permanent Split Capacitor (PSC)
Includes Overload Protection in Motor
LEVEL CONTROL:
~~SEV412.....None~~
SEV412A.....Wide Angle, Mechanical, 20 ft (6m) cord
Pipe Mounted
~~SEV412VF.....Vertical Float, PVC, Snap Action~~
~~SEV412VFT.....Attached Vertical Float, PVC, Snap Action~~
~~SEV412AT.....Wide Angle, Mechanical, 20 ft (6m) cord~~
Pump Mounted
~~SEV412DT.....Diaphragm Switch, Press Operated, snap~~
~~Action, Normally Open, 20ft. (6m) Cord~~



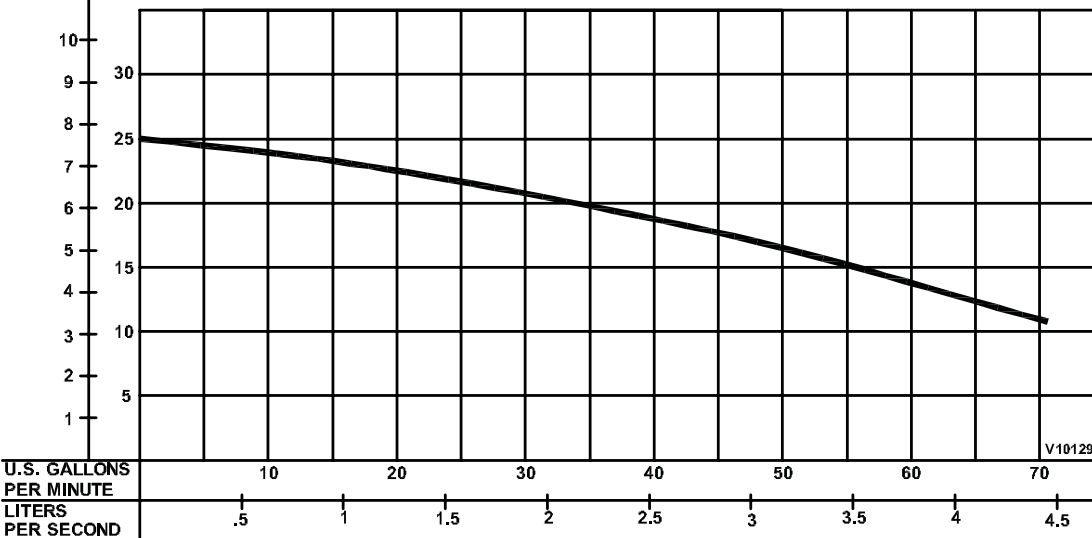
Series: SEV
0.5 HP, 3450RPM, 60Hz



CSA 108 - File No. LR16567
UL 778

DESCRIPTION:
SUBMERSIBLE NON-CLOG SEWAGE PUMP DESIGNED
FOR TYPICAL RAW SEWAGE APPLICATIONS

TOTAL HEAD
METERS FEET

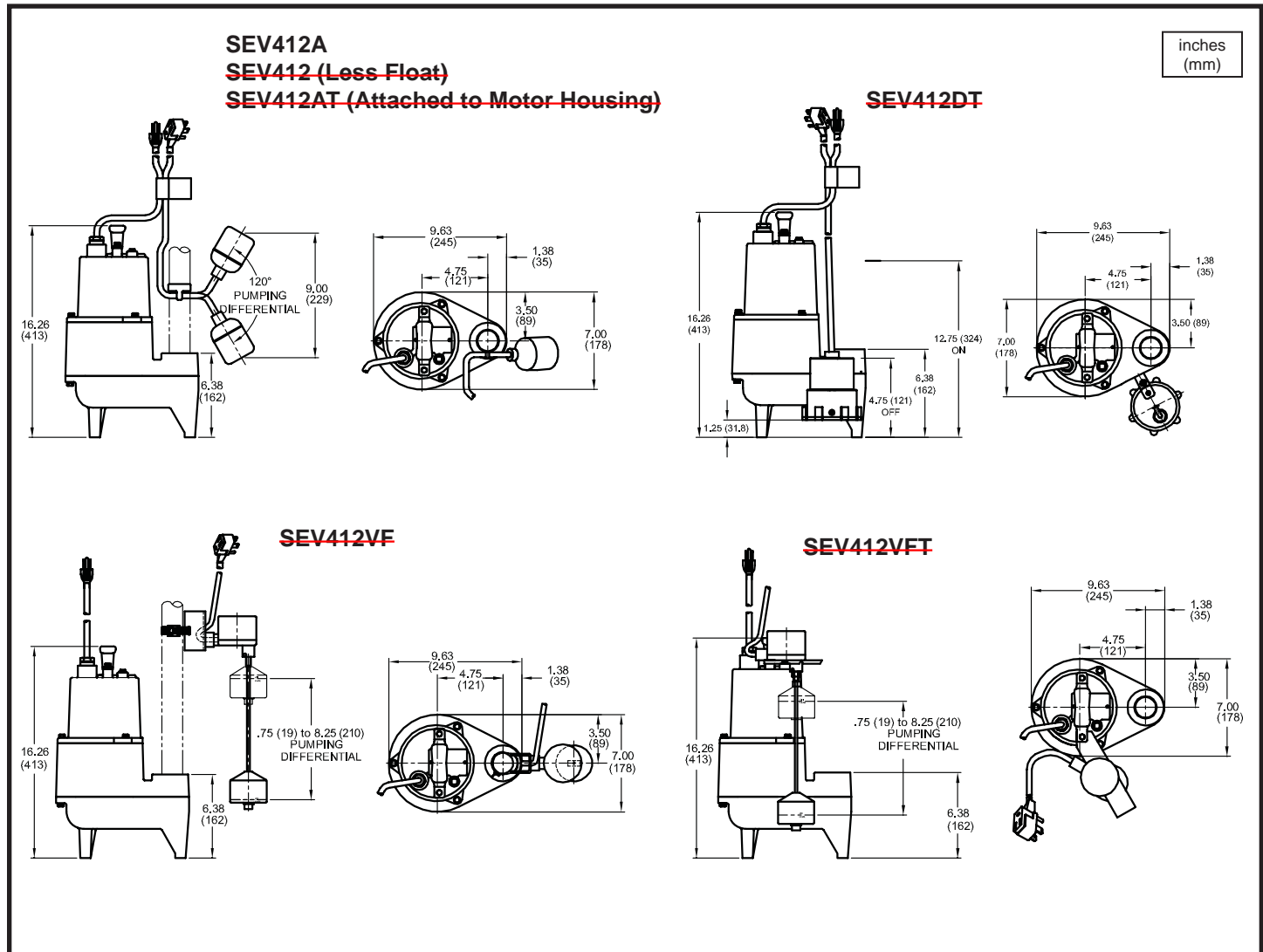


Testing is performed with water specific gravity of 1.0 @ 68°F (20°C), other fluids may vary performance

Series SEV

2" Spherical Solids Handling
Manual & Automatic

Submersible Non-Clog Pumps



MODEL NO	PART NO	HP	VOLT/PH	Hz	RPM (Nom)	NEMA START CODE	FULL LOAD AMPS	LOCKED ROTOR AMPS	CORD LENGTH	CORD SIZE	CORD TYPE
SEV412	401292	0.5	115/1	60	3450	H	10.50	18.6	20 ft. (6m)	14/3	SJTOW
SEV412A	101293	0.5	115/1	60	3450	H	10.50	18.6	20 ft. (6m)	14/3	SJTOW
SEV412VF	401294	0.5	115/1	60	3450	H	10.50	18.6	20 ft. (6m)	14/3	SJTOW
SEV412AT	403544	0.5	115/1	60	3450	H	10.50	18.6	20 ft. (6m)	14/3	SJTOW
SEV412VFT	410404	0.5	115/1	60	3450	H	10.50	18.6	20 ft. (6m)	14/3	SJTOW
SEV412DT	419614	0.5	115/1	60	3450	H	10.50	18.6	20 ft. (6m)	14/3	SJTOW

IMPORTANT !

- 1.) PUMP MAY BE OPERATED "DRY" FOR EXTENDED PERIODS WITHOUT DAMAGE TO MOTOR AND/OR SEALS.
- 2.) THIS PUMP IS APPROPRIATE FOR THOSE APPLICATIONS SPECIFIED AS CLASS I DIVISION II HAZARDOUS LOCATIONS.
- 3.) THIS PUMP IS NOT APPROPRIATE FOR THOSE APPLICATIONS SPECIFIED AS CLASS I DIVISION I HAZARDOUS LOCATIONS.
- 4.) INSTALLATIONS SUCH AS DECORATIVE FOUNTAINS OR WATER FEATURES PROVIDED FOR VISUAL ENJOYMENT MUST BE INSTALLED IN ACCORDANCE WITH THE NATIONAL ELECTRIC CODE ANSI/NFPA 70 AND/OR THE AUTHORITY HAVING JURISDICTION. THIS PUMP IS NOT INTENDED FOR USE IN SWIMMING POOLS, RECREATIONAL WATER PARKS, OR INSTALLATIONS IN WHICH HUMAN CONTACT WITH PUMPED MEDIA IS A COMMON OCCURRENCE.

SECTION C
PAGE 2
DATE 6/10

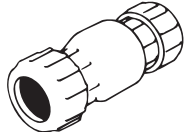
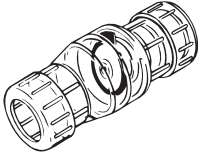
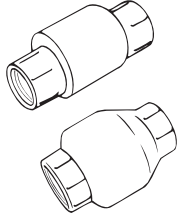
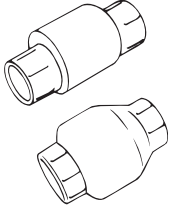
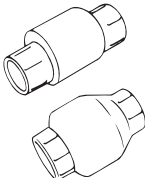
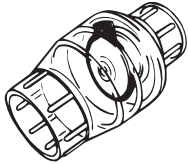
CRANE[®]

A Crane Co. Company

PUMPS & SYSTEMS

USA: (937) 778-8947 • Canada: (905) 457-6223 • International: (937) 615-3598

SWING CHECK VALVES – SERIES 1500

	Part No.	IPS Size & Connection	Body Length	Color	Pkg. Qty.	Case (lbs.)	Product Class	Specifications
White PVC Compression 	1500-12	1¼" UC x UC	7½"	White	12	5.6	41CV	Rated @ 125 PSI static pressure @ 75°F NSF/ANSI 61, ANNEX G
	1500-15	1½" UC x UC	7½"	White	12	6.3	41CV	
	1500-20	2" UC x UC	9¾"	White	12	16.0	41CV	
	1500-30	3" UC x UC	14"	White	2	10.0	41CV	
Clear PVC Compression 	1500C15	1½" UC x UC	7½"	Clear	12	6.3	41CV	Clear PVC
	1500C20	2" UC x UC	9¾"	Clear	12	16.0	41CV	
White PVC Threaded 	1520-05F	½" FPT x FPT	3½"	White	20	4.0	41CV	PVC NSF/ANSI 61, ANNEX G
	1520-07F	¾" FPT x FPT	3½"	White	25	5.0	41CV	
	1520-10F	1" FPT x FPT	5⅝"	White	25	10.0	41CV	
	1520-12F	1¼" FPT x FPT	5¼"	White	12	6.9	41CV	
	1520-15F	1½" FPT x FPT	5¾"	White	12	7.0	41CV	
	1520-20F	2" FPT x FPT	6"	White	12	13.0	41CV	
	1520-20ST	2" FPT x S	6"	White	12	13.0	41CV	
White PVC S x S 	1520-05	½" S x S	3½"	White	20	4.0	41CV	PVC NSF/ANSI 61, ANNEX G Except: 1520V20
	1520-07	¾" S x S	3½"	White	25	5.0	41CV	
	1520-10	1" S x S	5⅝"	White	25	10.0	41CV	
	1520-12	1¼" S x S	5¼"	White	12	6.9	41CV	
	1520-15	1½" S x S	5¾"	White	12	7.0	41CV	
	1520-20	2" S x S	6"	White	12	13.0	41CV	
	1520-30	3" S x S	9"	White	4	11.0	41CV	
	1520-40	4" S x S	9½"	White	1	3.2	41CV	
	1520V20	2" S x S w/Viton seal	6"	White	12	13.0	41CV	
CPVC 	1520H10	1" S x S	5⅝"	Gray	25	10	41CV	CPVC
	1520H15	1½" S x S	5¾"	Gray	12	7	41CV	
	1520H20	2" S x S	6"	Gray	12	13	41CV	
	1520H30	3" S x S	9"	Gray	4	11	41CV	
	1520H40	4" S x S	9½"	Gray	1	3.2	41CV	
Clear PVC Threaded	1520C05F	½" FPT x FPT	3½"	Clear	20	4.0	41CV	Clear PVC
	1520C07F	¾" FPT x FPT	3½"	Clear	25	5.0	41CV	
	1520C10F	1" FPT x FPT	5⅝"	Clear	25	10.0	41CV	
	1520C15F	1½" FPT x FPT	5¾"	Clear	12	7.0	41CV	
	1520C20F	2" FPT x FPT	6"	Clear	12	13.0	41CV	
Clear PVC S x S 	1520C05	½" S x S	3½"	Clear	20	4.0	41CV	Clear PVC
	1520C07	¾" S x S	3½"	Clear	25	5.0	41CV	
	1520C10	1" S x S	5⅝"	Clear	25	10.0	41CV	
	1520C12	1¼" S x S	5¼"	Clear	12	6.9	41CV	
	1520C15	1½" S x S	5¾"	Clear	12	7.0	41CV	
	1520C20	2" S x S	6"	Clear	12	13.0	41CV	
	1520C30	3" S x S	9"	Clear	4	11.0	41CV	
	1520C40	4" S x S	9½"	Clear	1	3.2	41CV	
	1520C10V	1" S x S	5⅝"	Clear	25	10.0	41CV	
	1520C15V	1½" S x S w/ Viton seal	5¾"	Clear	12	7.0	41CV	
	1520C20V	2" S x S w/ Viton seal	6"	Clear	12	13.0	41CV	

Note: All dimensions are nominal. All weights are for shipping purposes only. Price (U.S. Dollars) and availability are subject to change.

PART/PRINT #:

PART DESCRIPTION:

SCALE:

REVISION:

DATE:

AKP38040

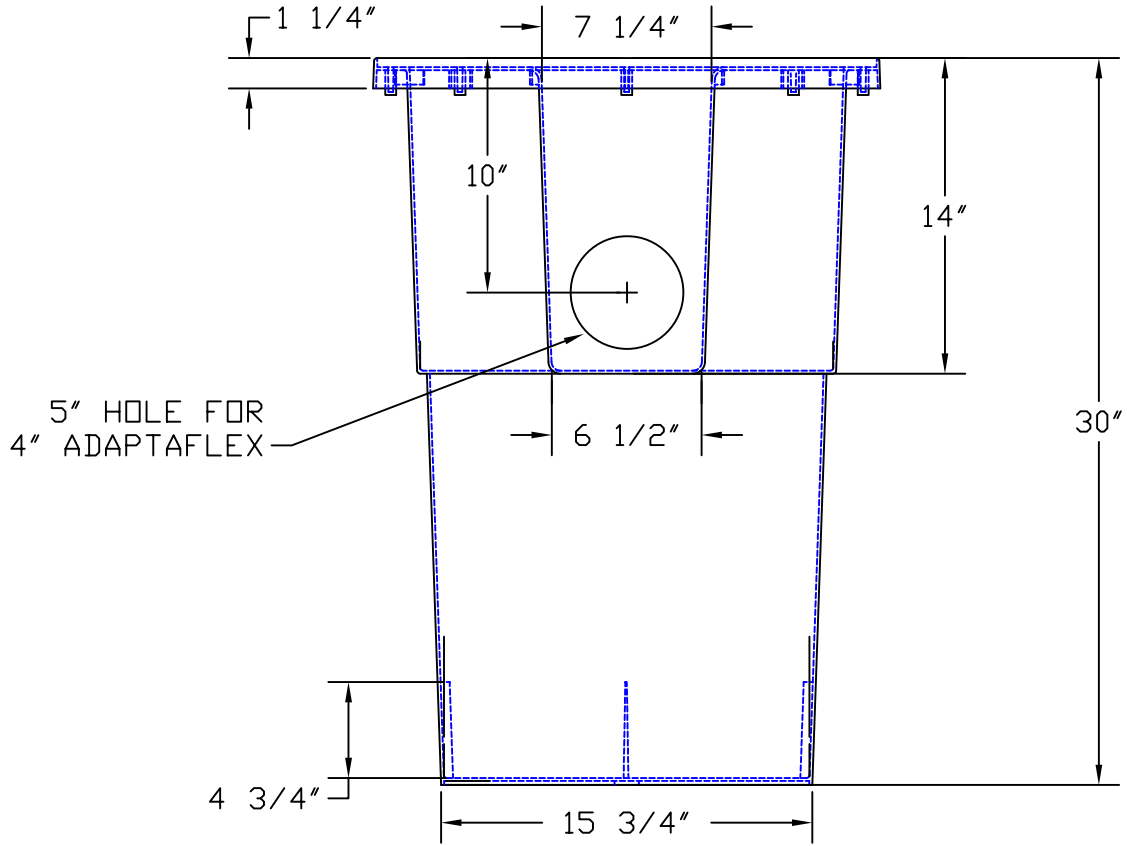
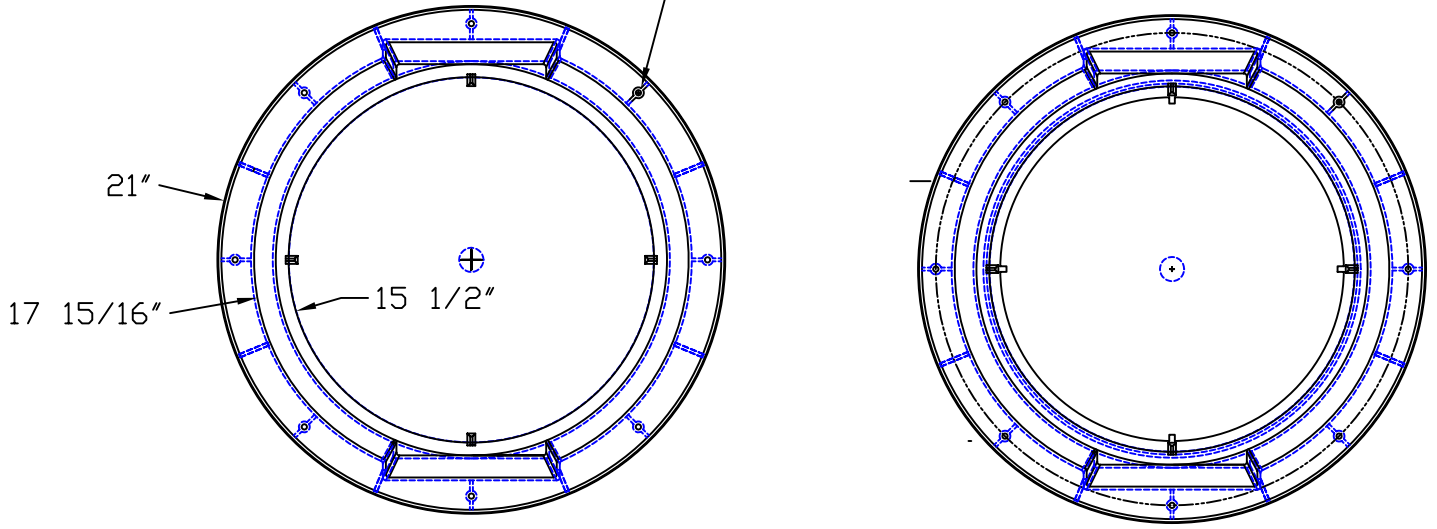
POLYPRO BASIN 18X30 (1) 4" AAF (LOOSE)

NOT TO SCALE

002

9/2/03

(8) 3/16" PILOT HOLES ARE SET ON A 19 1/2" DIAMETER



THIS DRAWING IS THE SOLE PROPERTY OF AK INDUSTRIES INC.

B.O.M

AKR100035 PRO 18X30

AKP10111 4" SCH 40 ADAPTAFLEX W/RETAINING RING



AK INDUSTRIES INC.
2055 PIDCO DR.
PLYMOUTH, IN. 46563
PHONE: (574) 936-6022

DRAWN BY:
M. OLIVAREZ

TOLERANCE:
± 0.0312 UNLESS SPECIFIED OTHERWISE

SIGNATURE:

PART/PRINT #:

PART DESCRIPTION:

SCALE:

REVISION:

DATE:

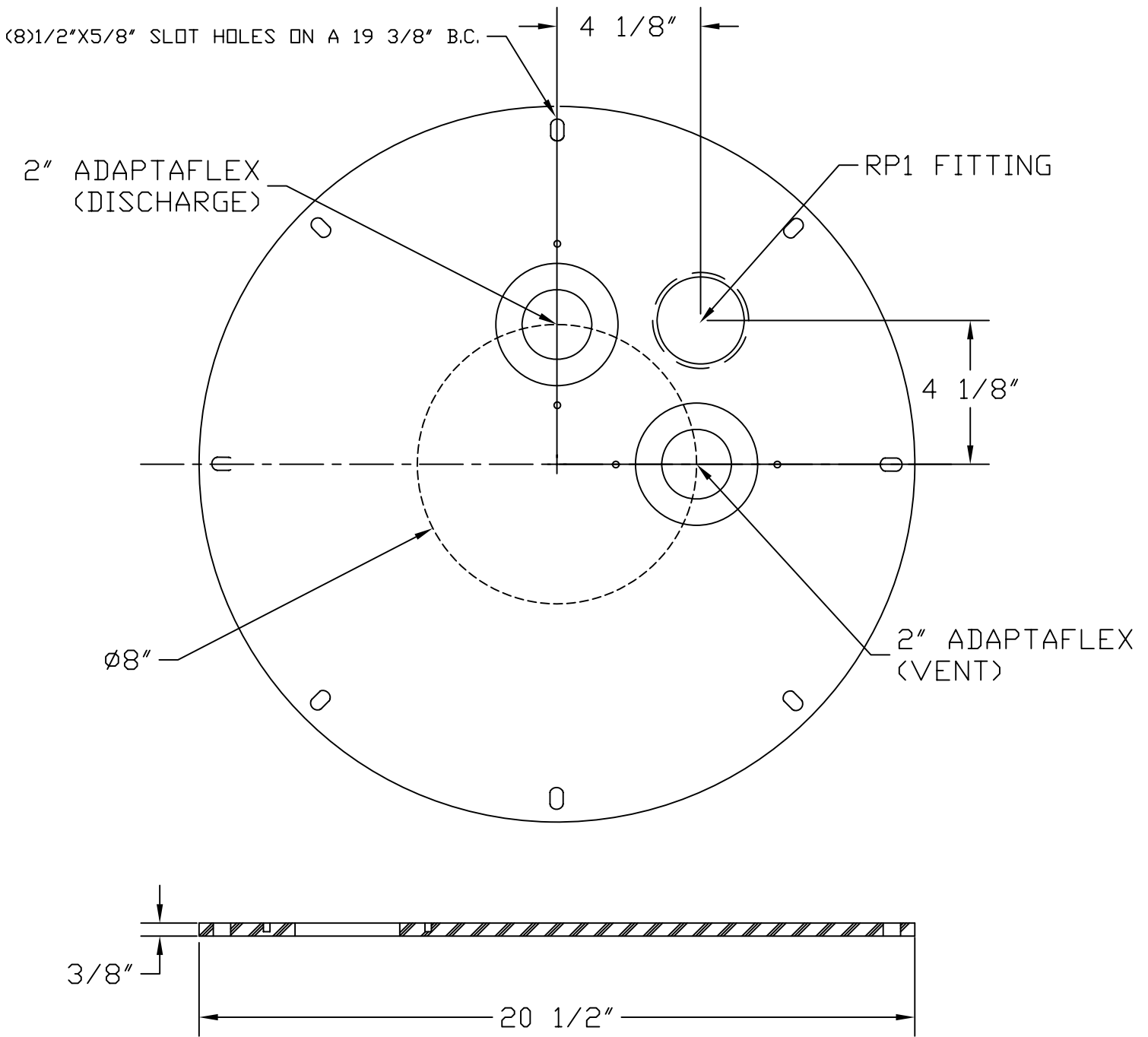
AKP80100

STRUCTURAL FOAM 18" 2 X 2 AAF

NOT TO SCALE

002

9/5/03



THIS DRAWING IS THE SOLE PROPERTY OF AK INDUSTRIES INC.

B.O.M.

AKR50540-R 3X3X2.5 STRUCT. FOAM COVER

AKP10400 GASKET PACK 18" CVR 2X2 AAF



AK INDUSTRIES INC.
2055 PIDCO DR.
PLYMOUTH, IN. 46563
PHONE: (574) 936-6022

DRAWN BY:

M. OLIVAREZ

TOLERANCE:

± 0.125 UNLESS SPECIFIED OTHERWISE

SIGNATURE:

PART/PRINT #:

PART DESCRIPTION:

SCALE:

REVISION:

DATE:

AKP10110

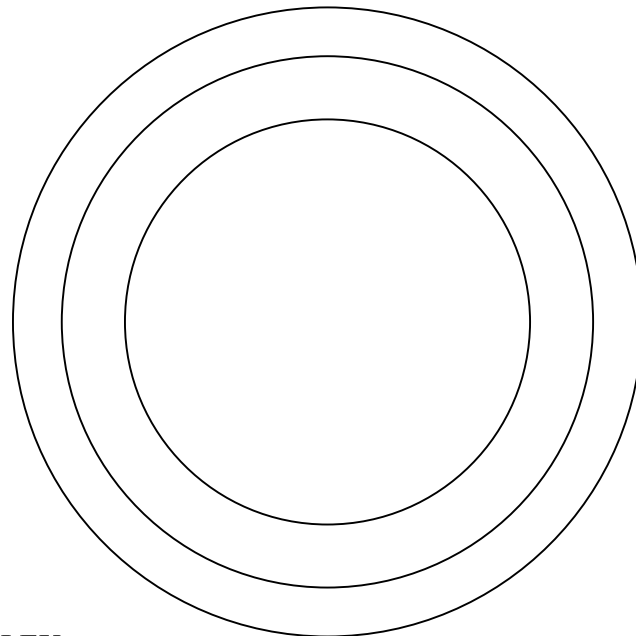
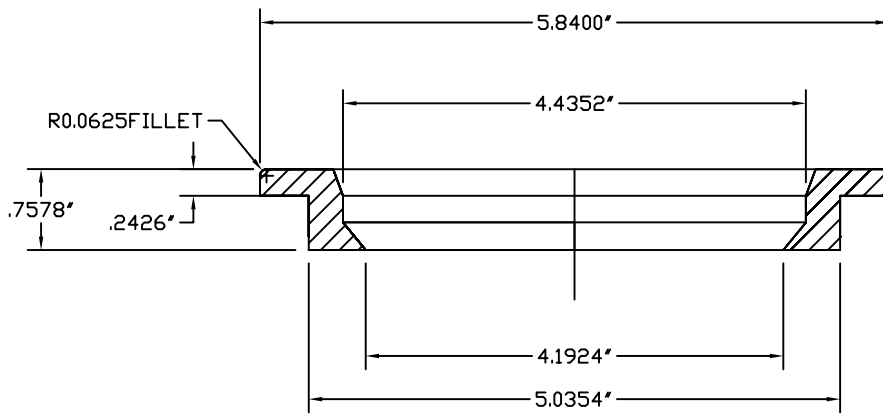
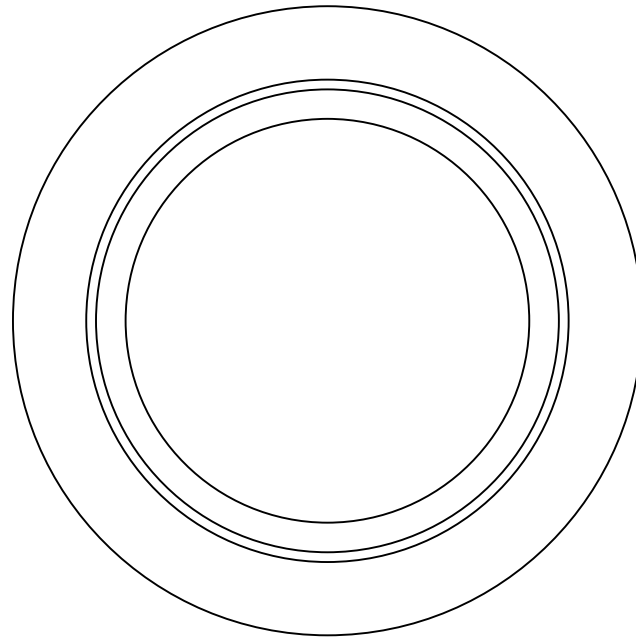
NEOPRENE ADAPTAFLEX 4" SCH40

NOT TO SCALE

002

1/6/03

THIS DRAWING IS THE SOLE PROPERTY OF AK INDUSTRIES INC.



B.O.M
 AKR50675 4" SXH40 ADAPTAFLEX



AK INDUSTRIES INC.
 2055 PIDCO DR.
 PLYMOUTH, IN. 46563
 PHONE: (574) 936-6022

DRAWN BY:
 M. OLIVAREZ

TOLERANCE:
 ± 0.0250 UNLESS SPECIFIED OTHERWISE

SIGNATURE: