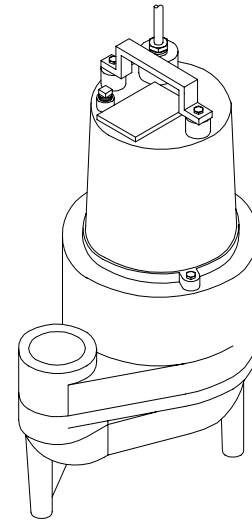


Submersible Non-Clog Pumps

DISCHARGE 2" NPT, Female, Vertical
LIQUID TEMPERATURE 77°F (25°C) Continuous
MOTOR HOUSING Cast Iron
PUMP BODY Cast Iron
IMPELLER: Design Multi-Vane, Vortex
Material Cast Iron
SHAFT 416 Stainless Steel
O-RINGS Buna-N
HARDWARE 300 Series Stainless Steel
PAINT Air Dry Enamel
CORD ENTRY 20 ft. (6m) Quick Disconnect Cord with
 plug on 115 Volt, Pressure Grommet for
 sealing and strain relief
SEAL: Design Single Mechanical, Oil Filled Reservoir
Material Carbon/Ceramic/Buna-N
 Hardware - 300 Series Stainless
UPPER BEARING Single Row, Ball, Oil Lubricated
LOWER BEARING Single Row, Ball, Oil Lubricated
MOTOR: Design Oil Filled
Insulation Class B
SINGLE PHASE Permanent Split Capacitor (PSC)
 Includes Overload Protection in Motor
LEVEL CONTROL:
 SEV412 None
 SEV412A Wide Angle, Mechanical, 20 ft (6m) cord
 Pipe Mounted
 SEV412VF Vertical Float, PVC, Snap Action
 SEV412VFT Attached Vertical Float, PVC, Snap Action
 SEV412AT Wide Angle, Mechanical, 20 ft (6m) cord
 Pump Mounted
 SEV412DT Diaphragm Switch, Press Operated, snap
 Action, Normally Open, 20ft. (6m) Cord



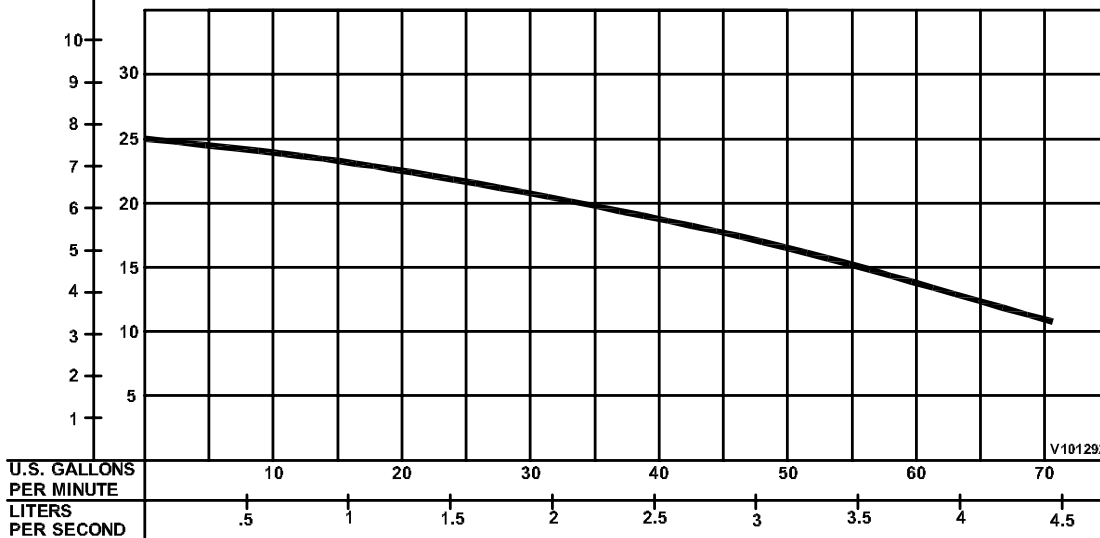
Series: SEV
0.5 HP, 3450RPM, 60Hz



CSA 108 - File No. LR16567
UL 778

DESCRIPTION:
SUBMERSIBLE NON-CLOG SEWAGE PUMP DESIGNED
FOR TYPICAL RAW SEWAGE APPLICATIONS

TOTAL HEAD
METERS FEET



Testing is performed with water specific gravity of 1.0 @ 68°F (20°C), other fluids may vary performance

Series SEV

2" Spherical Solids Handling
Manual & Automatic

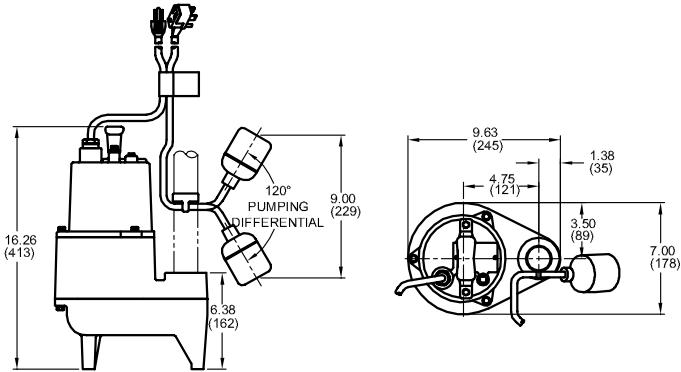
BARNES®

Professional Plumbing

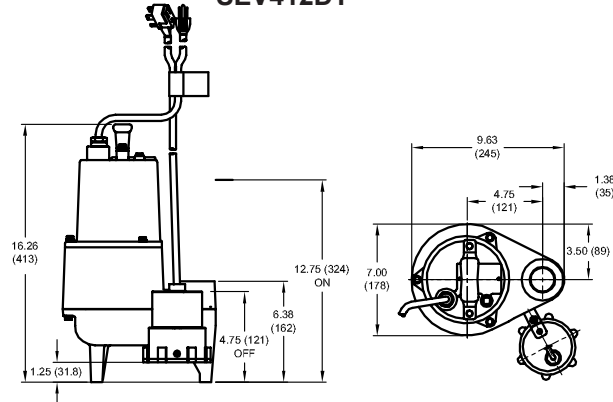
www.cranepumps.com

Submersible Non-Clog Pumps

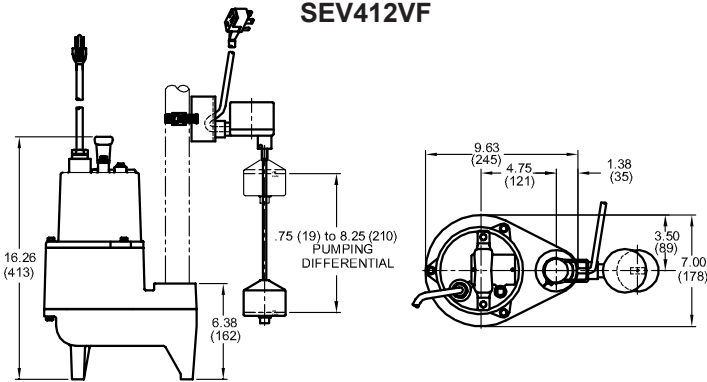
SEV412A
SEV412 (Less Float)
SEV412AT (Attached to Motor Housing)



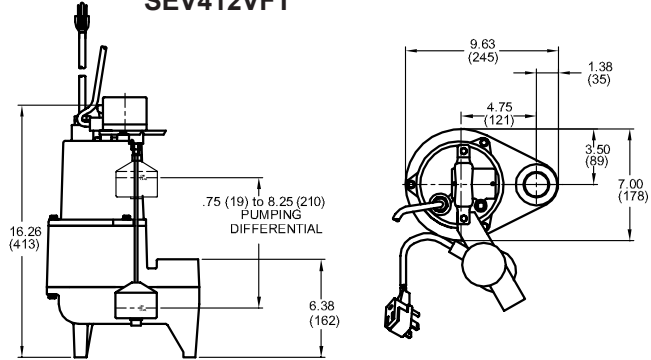
SEV412DT



SEV412VF



SEV412VFT



inches
(mm)

MODEL NO	PART NO	HP	VOLT/PH	Hz	RPM (Nom)	NEMA START CODE	FULL LOAD AMPS	CORD LENGTH	CORD SIZE	CORD TYPE
SEV412	101292	0.5	115/1	60	3450	H	10.50	20 ft. (6m)	14/3	SJTOW
SEV412A	101293	0.5	115/1	60	3450	H	10.50	20 ft. (6m)	14/3	SJTOW
SEV412VF	101294	0.5	115/1	60	3450	H	10.50	20 ft. (6m)	14/3	SJTOW
SEV412AT	103544	0.5	115/1	60	3450	H	10.50	20 ft. (6m)	14/3	SJTOW
SEV412VFT	110404	0.5	115/1	60	3450	H	10.50	20 ft. (6m)	14/3	SJTOW
SEV412DT	119614	0.5	115/1	60	3450	H	10.50	20 ft. (6m)	14/3	SJTOW

IMPORTANT !

- 1.) PUMP MAY BE OPERATED "DRY" FOR EXTENDED PERIODS WITHOUT DAMAGE TO MOTOR AND/OR SEALS.
- 2.) THIS PUMP IS APPROPRIATE FOR THOSE APPLICATIONS SPECIFIED AS CLASS I DIVISION II HAZARDOUS LOCATIONS.
- 3.) THIS PUMP IS NOT APPROPRIATE FOR THOSE APPLICATIONS SPECIFIED AS CLASS I DIVISION I HAZARDOUS LOCATIONS.
- 4.) INSTALLATIONS SUCH AS DECORATIVE FOUNTAINS OR WATER FEATURES PROVIDED FOR VISUAL ENJOYMENT MUST BE INSTALLED IN ACCORDANCE WITH THE NATIONAL ELECTRIC CODE ANSI/NFPA 70 AND/OR THE AUTHORITY HAVING JURISDICTION. THIS PUMP IS NOT INTENDED FOR USE IN SWIMMING POOLS, RECREATIONAL WATER PARKS, OR INSTALLATIONS IN WHICH HUMAN CONTACT WITH PUMPED MEDIA IS A COMMON OCCURRENCE.

SECTION C
PAGE 6
DATE 10/05

CRANE®

A Crane Co. Company

PUMPS & SYSTEMS

USA: (937) 778-8947 • Canada: (905) 457-6223 • International: (937) 615-3598