



Submittal Data Information

101-150

ON COMMAND™
HOT WATER RECIRCULATION

EFFECTIVE: July 1, 2013

JOB _____ ENGINEER _____ CONTRACTOR _____ REP. _____

ITEM NO.	MODEL NO.
----------	-----------

Application:

The Taco On Command operates 24 hours to provide hot water “on demand” at the same time it saves water, energy and money.

The On Command is a small, silent pump that you attach to the hot and cold water lines in the cabinet under the most remote kitchen or bath fixture in the home. When the On Command pump is activated, the cool water you normally let run down the drain is recirculated back to the water heater through the cold water line.

On command, the pump circulates the hot water from the water heater and returns the cooled water back through the cold water line. When the hot water arrives at the fixture, the On Command’s heat sensor and control board shut off the pump to prevent pumping excess hot water into the cold water line.

NOTE: Standard plumbing and distance requires the On Command to be installed between the hot and cold water line at the most distant hot water location.

Nomenclature:

CT – On Command Threaded USK – Undersink Kit
CF – On Command Flanged

On Command Includes:

- On Command Circulator
- Hard Wire Push Button
- (2) Copper T’s
- (2) Flex Hoses

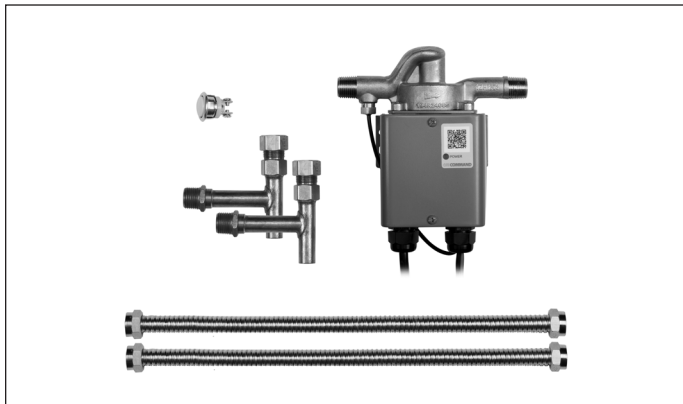
Materials of Construction:

PUMP:

- Casing (Volute): Stainless Steel
- Stator Housing: Steel
- Cartridge: 304 Stainless Steel
- Impeller: Noryl
- Shaft: Ceramic
- Bearings: Carbon
- O-Ring: EPDM

INTEGRAL FLOW CHECK (IFC®):

- Body, Plunger: Acetal
- O-Rings: EPDM



On Command Model Numbers					
Product Number	Connection Sizes	Motor			Ship Wgt.
		Voltage	RPM	HP	
006-CT	1/2" Male NPT	115/60/1	3250	1/40	7
006-CT-USK	1/2" Male NPT, with Plumbing Kit			1/40	8
008-CT	1/2" Male NPT			1/25	10
008-CT-USK	1/2" Male NPT, with Plumbing Kit			1/25	11
0011-CF	3/4" Shut-off Flange			1/8	14
0011-CF-USK	3/4" Shut-off Flange, with Plumbing Kit			1/8	15



RF Wireless Starter Kit

On Command System - Accessories		
Product Number	Description	What It Does
554-1	Remote Transmitter/ Receiver Kit	To start system with wireless remote control
554-2	Individual Remote Transmitter	For wireless remote control at multiple locations
554-3	Individual Starter Button	For hard-wired starter control at multiple locations
554-4	Motion Sensor Starter Kit	For automatic motion detection start



Motion Sensor



FOR INDOOR USE ONLY.

A Taco resource – saving product

Sizing Your On Command Circulator Pump:

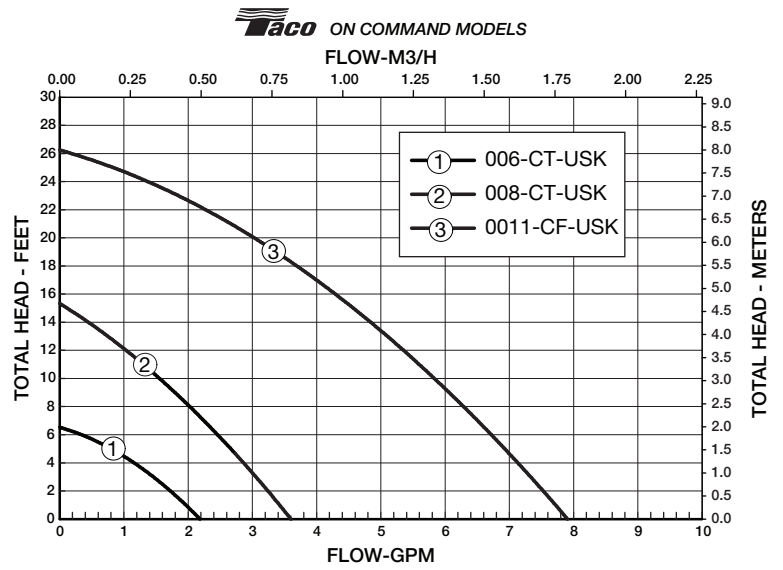
STANDARD PIPING - Tank Type Water Heater		
Size of Home	Total Length of Pipe (ft)	Model
Small	50	006
Medium	100	008
Large/Commercial	Over 100	0011

STANDARD PIPING - Tankless Water Heater		
Size of Home	Total Length of Pipe (ft)	Model
Small/Medium	< 60	008
Large/Commercial	> 60	0011

RECIRCULATION PIPING - Tank Type Water Heater		
Size of Home	Total Length of Pipe (ft)	Model
Small	100	006
Medium	200	008
Large/Commercial	Over 200	0011

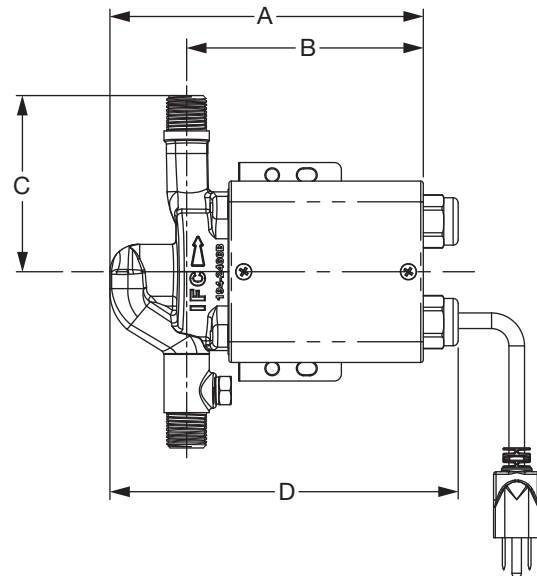
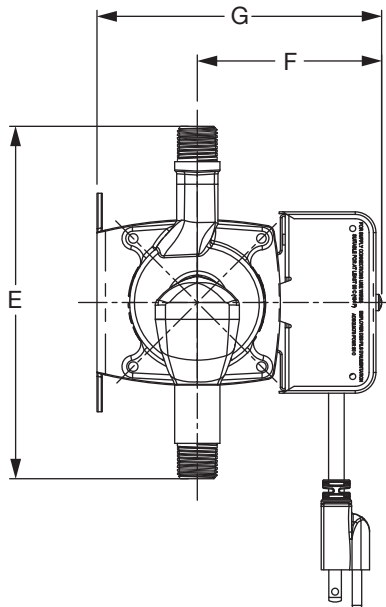
RECIRCULATION PIPING - Tankless Water Heater		
Size of Home	Square Feet	Model
Small/Medium	< 2500	008
Large/Commercial	> 2500	0011

Performance Field Information - 60 Hz



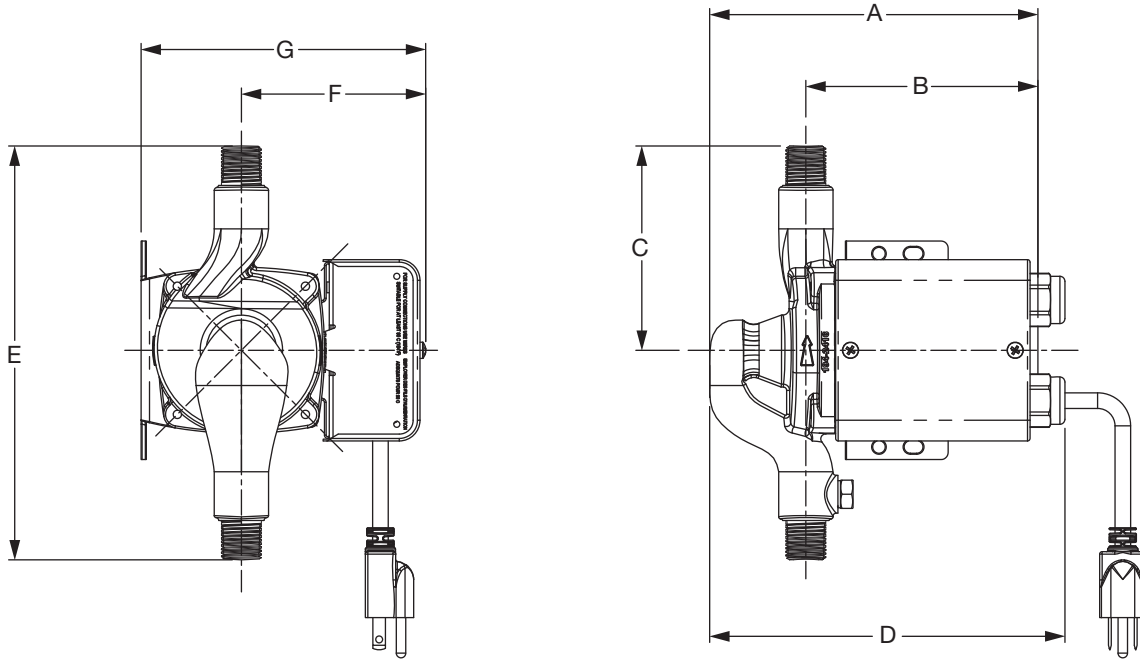
Dimensional and Weight Data:

MODEL 006-CT													
A		B		C		D		E		F		G	
Inch	mm	Inch	mm	Inch	mm	Inch	mm	Inch	mm	Inch	mm	Inch	mm
6 ⁷ / ₃₂	158	4 ¹¹ / ₁₆	119	3 ¹ / ₂	89	6 ¹⁵ / ₁₆	176	7	178	3 ²¹ / ₃₂	93	5 ²¹ / ₃₂	144

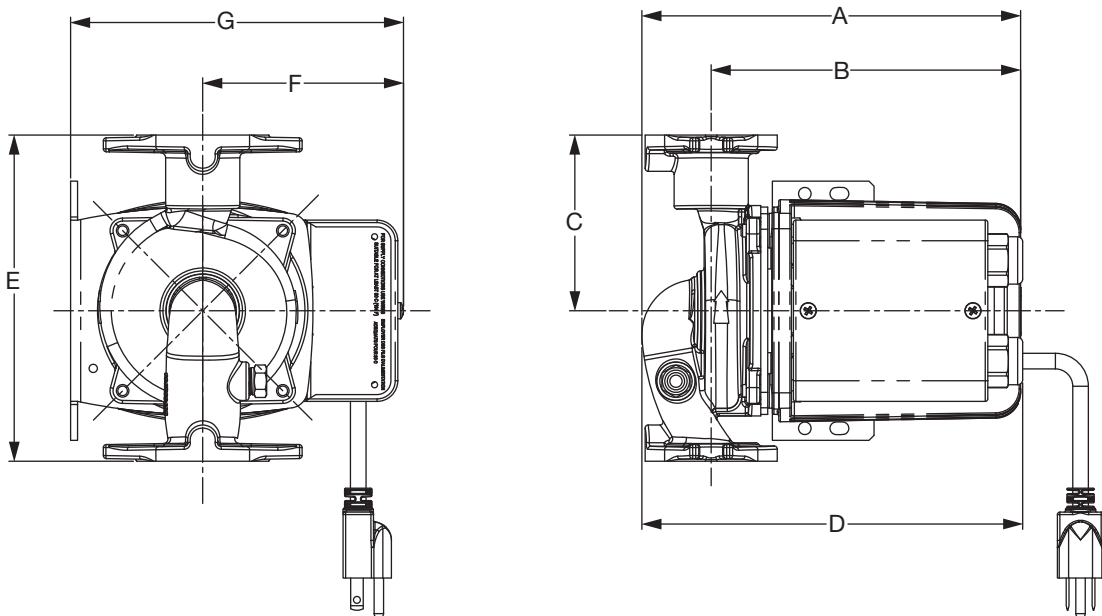


Dimensional and Weight Data (continued):

MODEL 008-CT													
A		B		C		D		E		F		G	
Inch	mm	Inch	mm	Inch	mm	Inch	mm	Inch	mm	Inch	mm	Inch	mm
6½	165	4⅝	118	4	102	7	178	8⅞	209	3⅒	93	5⅒	144



MODEL 0011-CF													
A		B		C		D		E		F		G	
Inch	mm	Inch	mm	Inch	mm	Inch	mm	Inch	mm	Inch	mm	Inch	mm
7½	191	6⅛	156	3½	89	7⅞	192	6½	165	4	102	6⅝	168



Do your **best work.**

TACO, INC., 1160 Cranston Street, Cranston, RI 02920 Telephone: (401) 942-8000 FAX: (401) 942-2360.

TACO (Canadá), Ltd., 8450 Lawson Road, Unit #3, Milton, Ontario L9T 0J8. Telephone: 905/564-9422. FAX: 905/564-9436.

Visit our web site at: <http://www.taco-hvac.com>

Printed in USA

Copyright 2013

TACO, Inc.